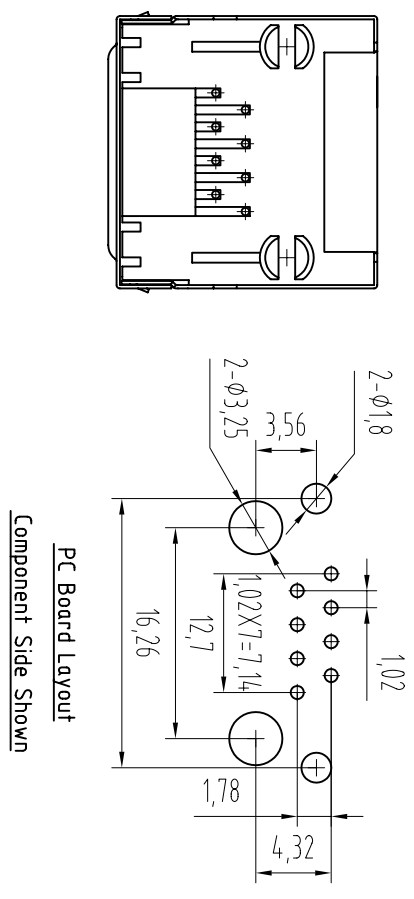
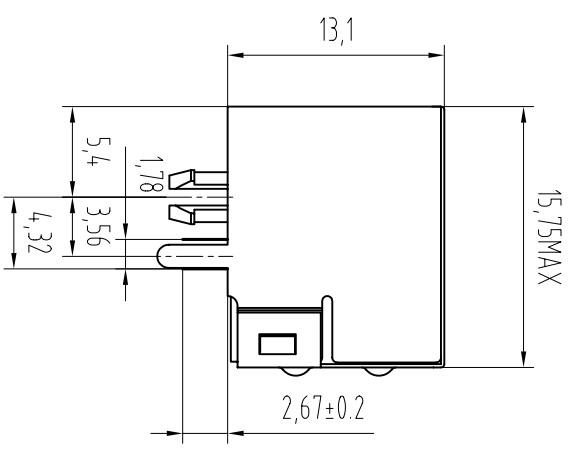
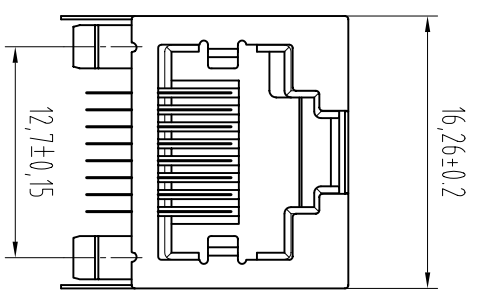


REVISION RECORD				
REV	ECO	DESCRIPTION	DRFT	CHD



NOTES:

MATERIAL :

- 1 HOUSING MATERIAL
- 2 CONTACT MATERIAL
- 3 PLATING
- 4 SHIELD

ELECTRICAL:

- 1 VOLTAGE RATING : 125 VAC RMS.
- 2 CURRENT RATING : 15 AMP.
- 3 CONTACT RESISTANCE : 30 MILLIOHMS MAX.
- 4 INSULATION RESISTANCE : 500 MEGOHMS MIN @ 500V DC.
- 5 DIELECTRIC WITHSTANDING RESISTANCE : 1000V AC RMS 50HZ 1MIN.

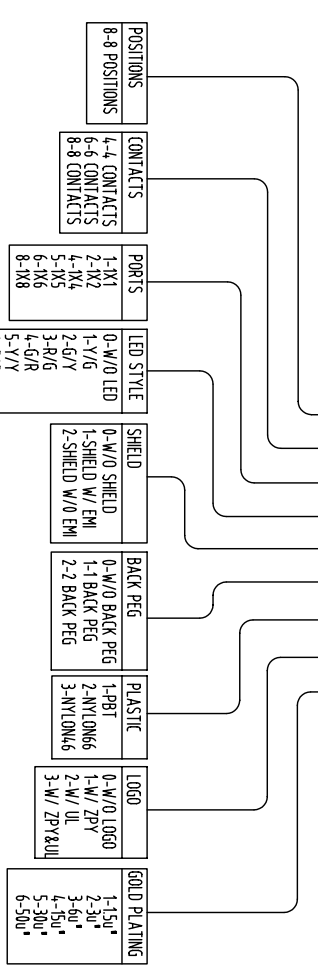
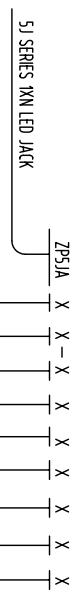
MECHANICAL:

- 1 DURABILITY : 750 CYCLES MIN.
- 2 PCB RETENTION PRE-SOLDER : 1 LB MIN.

ENVIRONMENTAL:

- 1 STORAGE : -40°F ~ +85°F
- 2 OPERATION : 0°C TO 70°C.

PART NUMBER:



DETACHED LISTS		DATE		TITLE	
TOLERANCES EXCEPT AS NOTED	MM	DATE	2007/05/05	YU KING ELECTRONIC CO., LTD	
ANGLES ± 0.5	MM	DATE	2007/05/05		
90° ± 0.05	MM	DATE	2007/05/05		
180° ± 0.05	MM	DATE	2007/05/05		
THIRD ANGLE PROJECTION		APPROV.	DATE	S1A SERIES 1X1 JACK SHIELDED	
		QTY :		DRAWING NO. TESJAN01	
		MATERIAL :		PART NO.	
		FINISH :		SIZE	
		SCALE :		REV	
				A3	
				0	